

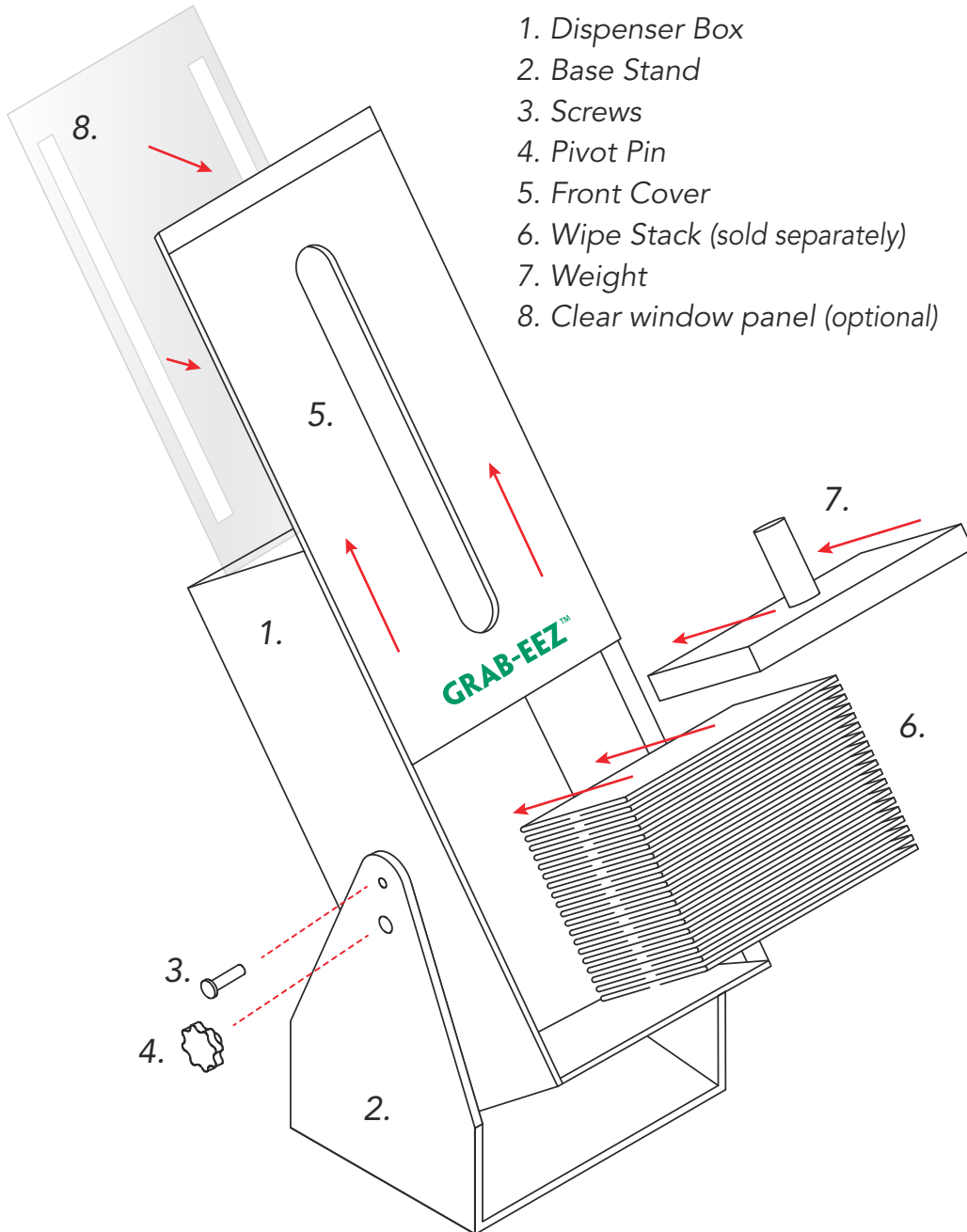
GRAB-EEZ®

Cleanroom Wipe Dispenser

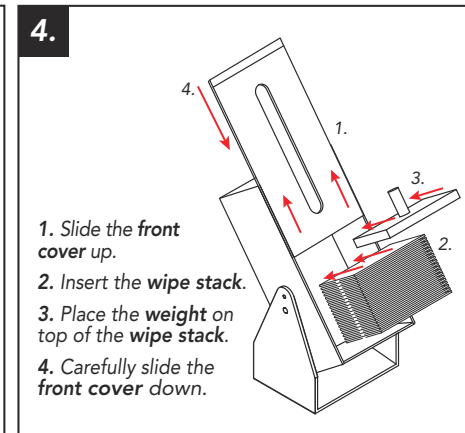
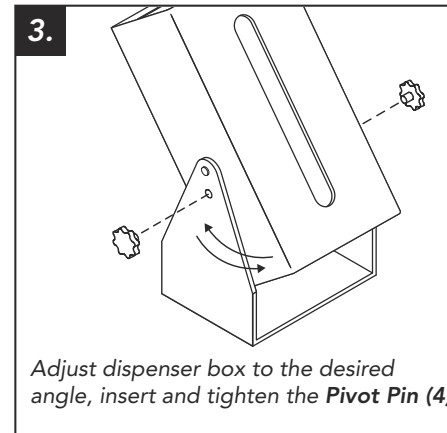
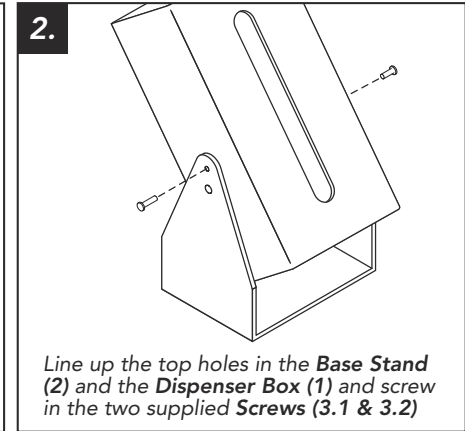
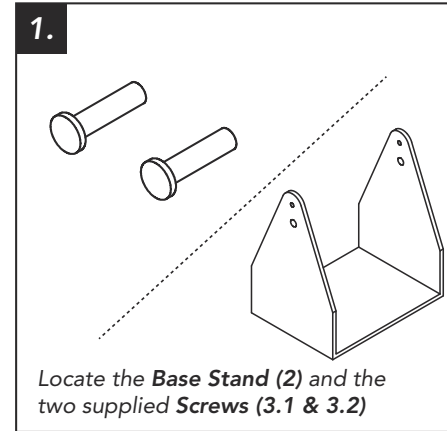
Assembly Instructions

Parts list:

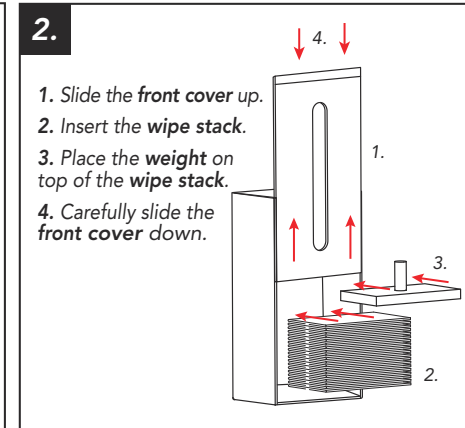
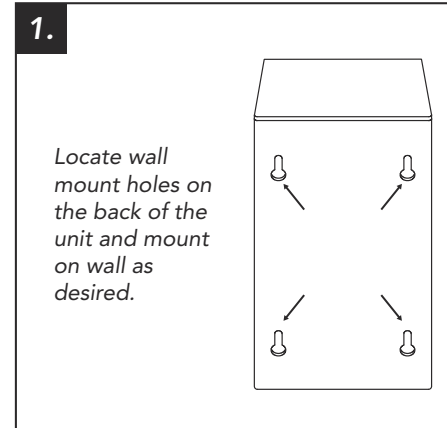
1. Dispenser Box
2. Base Stand
3. Screws
4. Pivot Pin
5. Front Cover
6. Wipe Stack (sold separately)
7. Weight
8. Clear window panel (optional)



Assembly for table top use



Assembly for wall mounting



Optional: You will find a clear plastic cover (8) that can be applied to the inside of the metal sliding cover. Simply remove the tape covering and apply if desired.

GRAB-EEZ[®]

Cleanroom Wipe Dispenser

Dimensions

